

8 Key Officials

Key Officials

Vice Chancellor

Prof. Sampath Amaratunge

Ext: 8200

Office: 2802350

Dean/Humanities and Social Sciences

Dr. D.P.S. Chandra Kumara

Ext: 8310

Office: 2803196/2758310

Dean/Applied Sciences

Prof. Sudantha Liyanage

Ext: 8400

Office: 2802914

Dean/Management Studies and Commerce

Dr. U. Anura Kumara

Ext: 8800

Office: 2803343/2758800

Dean/Medical Sciences

Prof.(Ms.) Surangi Yasawardene

Ext: 8538

Office: 2758538

Dean/Graduate Studies

Snr.Prof.(Ms.) Hemanthi Ranasinghe

Ext: 1549

Office: 2802551

Dean/Engineering

Dr. S.A.A.M. Subasinghe

Ext: 8483

Office: 3182916

Dean/Technology

Prof. P.B. Mandawala

Ext: 8484

Office: 3182916

Registrar

Mr. K. Gnanasiri Britto

Ext: 8204

Office: 2802293

Librarian

Dr.(Ms.) Nayana Wijayasundara

Ext: 8525

Office: 2804194

Bursar

Ms. T.S. Jayasuriya

Ext: 8221

Office: 2801030

Proctor

Mr. A.R.P.C. Udayakumara

Ext: 8330

Office: 2758330

Director

Career Guidance Unit

Dr. (Ms.) M.G. Tharanganie

Ext: 8475

Office: 2758475

Director

Staff Development Centre

Dr. R.B. Marasinghe

Ext: 8558

Office: 2758558

Chief Medical Officer

Dr. S.K. Hettiarachchi

Ext: 8500

Office: 2803199/2758500

Deputy Registrar/Academic Student Affairs and Publications

Mr. L.L.W. Perera

Ext: 8229

Office: 2803473/2758229

Deputy Registrar/Academic Establishment

Mr. Anuruddha Welivita

Ext: 8206

Office: 2758206

Senior Assistant Registrar/ Legal & Documentation Division

Mrs. P.K.C. Senerath

Ext: 8208

Office: 2758208

Senior Assistant Registrar/Examination Division

Ms. U.D.S.S. Gunasinghe

Ext: 8218

Office: 2758218

Senior Assistant Registrar/Student Welfare Division

Mrs. K.P.Y.T. Malkanthi

Ext: 8269

Office: 2758269

Senior Assistant Registrar/External Degree and Extension Courses Unit

Mrs. H.K.S.D. Geeganage

Ext: 8279

Office: 2758279

**Assistant Registrar/Non - academic
Establishment**
Mrs. Charya G. Balasooriya

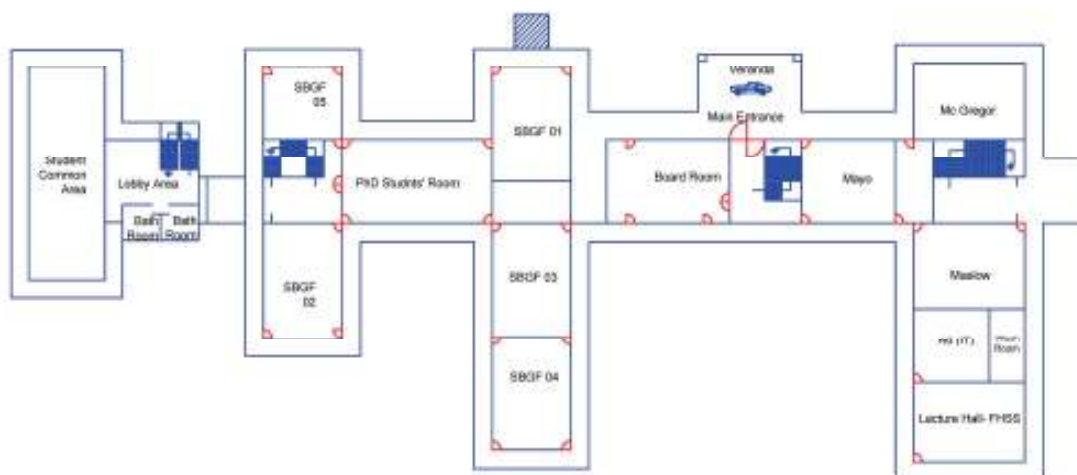
Ext: 8243
Office: 2758243

**Assistant Registrar/General Admin. &
Services**
Ms. A.D.S. Samadaree

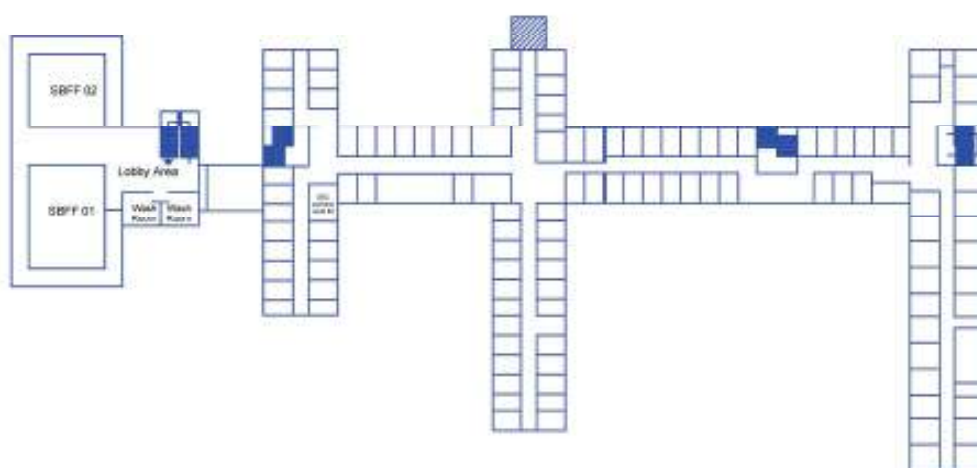
Ext: 8241
Office: 2758241

Note: To reach the extension numbers, first dial the University general line 2758000

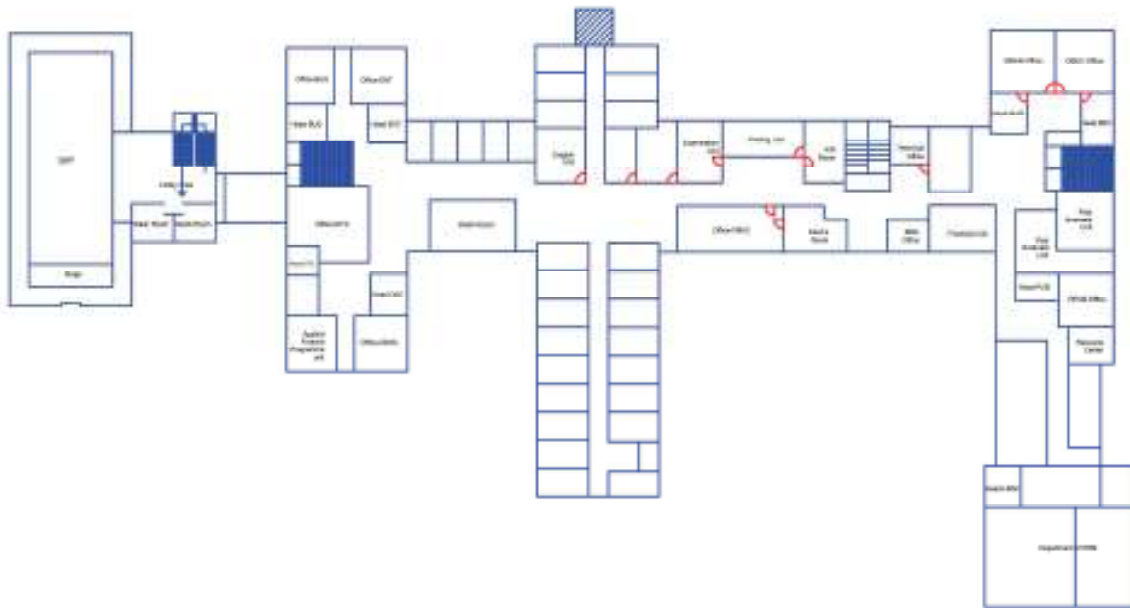
Floor Plan - Sri Soratha Mandiraya Faculty of Management Studies and Commerce



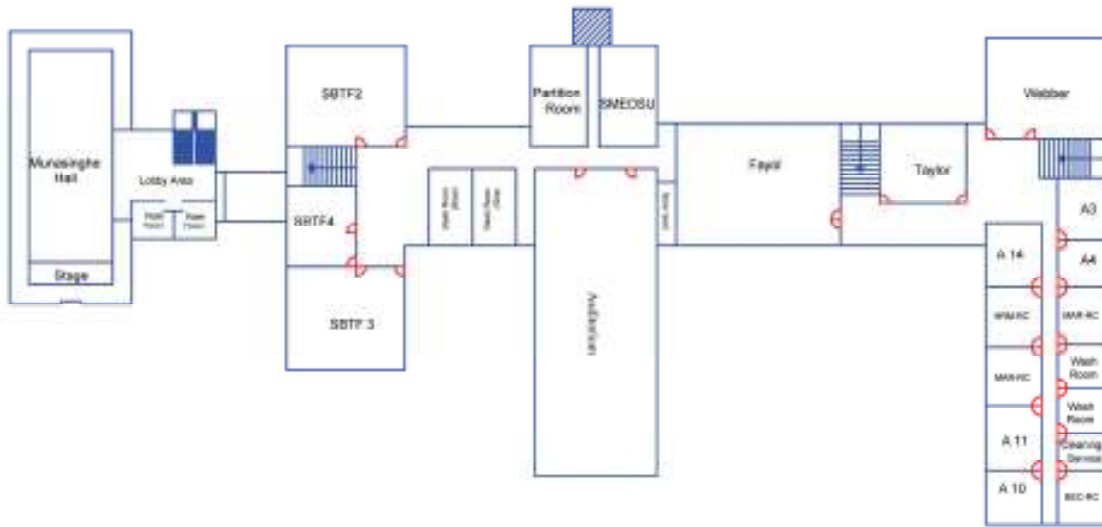
Ground Floor



First Floor



Second Floor



Upper Floor